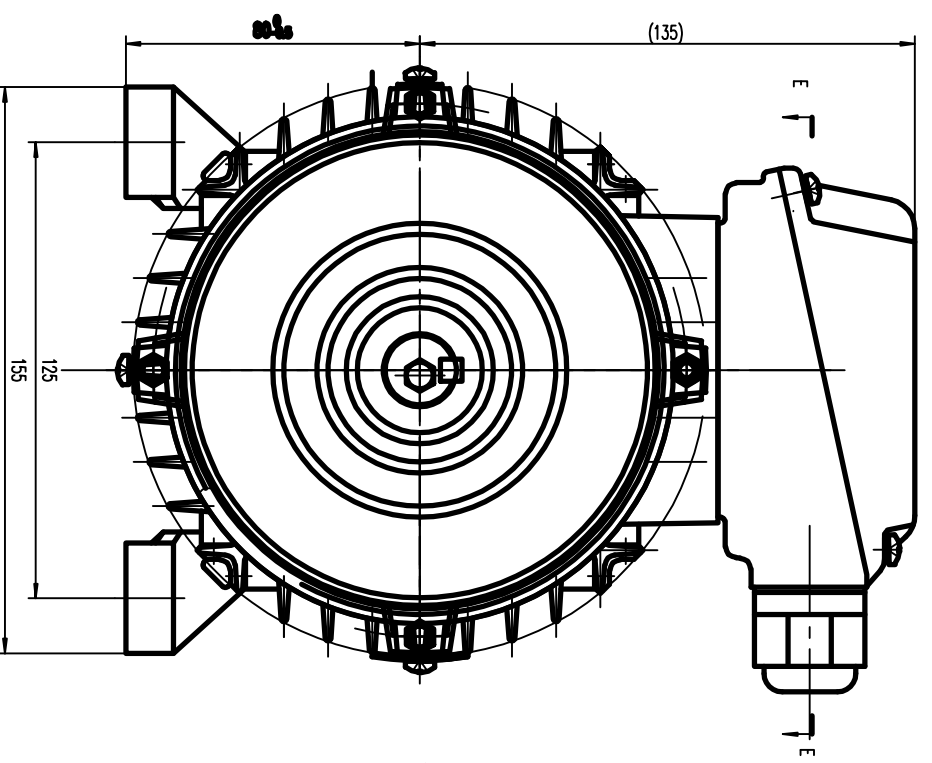
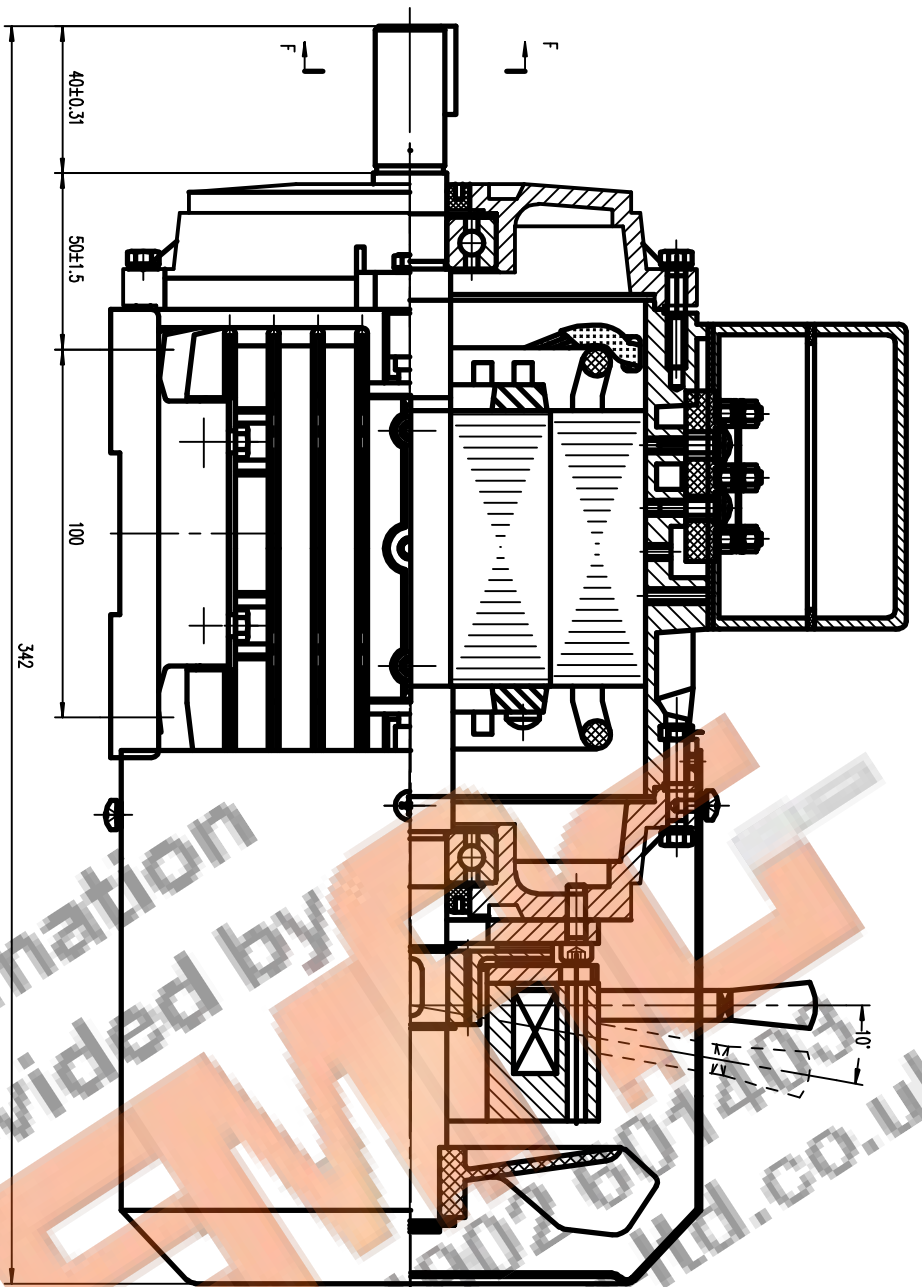


RevNo	Revision note	Date	Signature/Checked
6			



Quantity	Title/Name, designation, material, dimension etc	Article No./Reference
Designed by	Checked by	Date
	Approved by - date	Scale
File name		1:1
AMTECS LTD		
AMA-B 80		Edition
		0
		Sheet
		1/1

Information provided by
 Tel: 07002 67400
 www.emaghd.co.uk